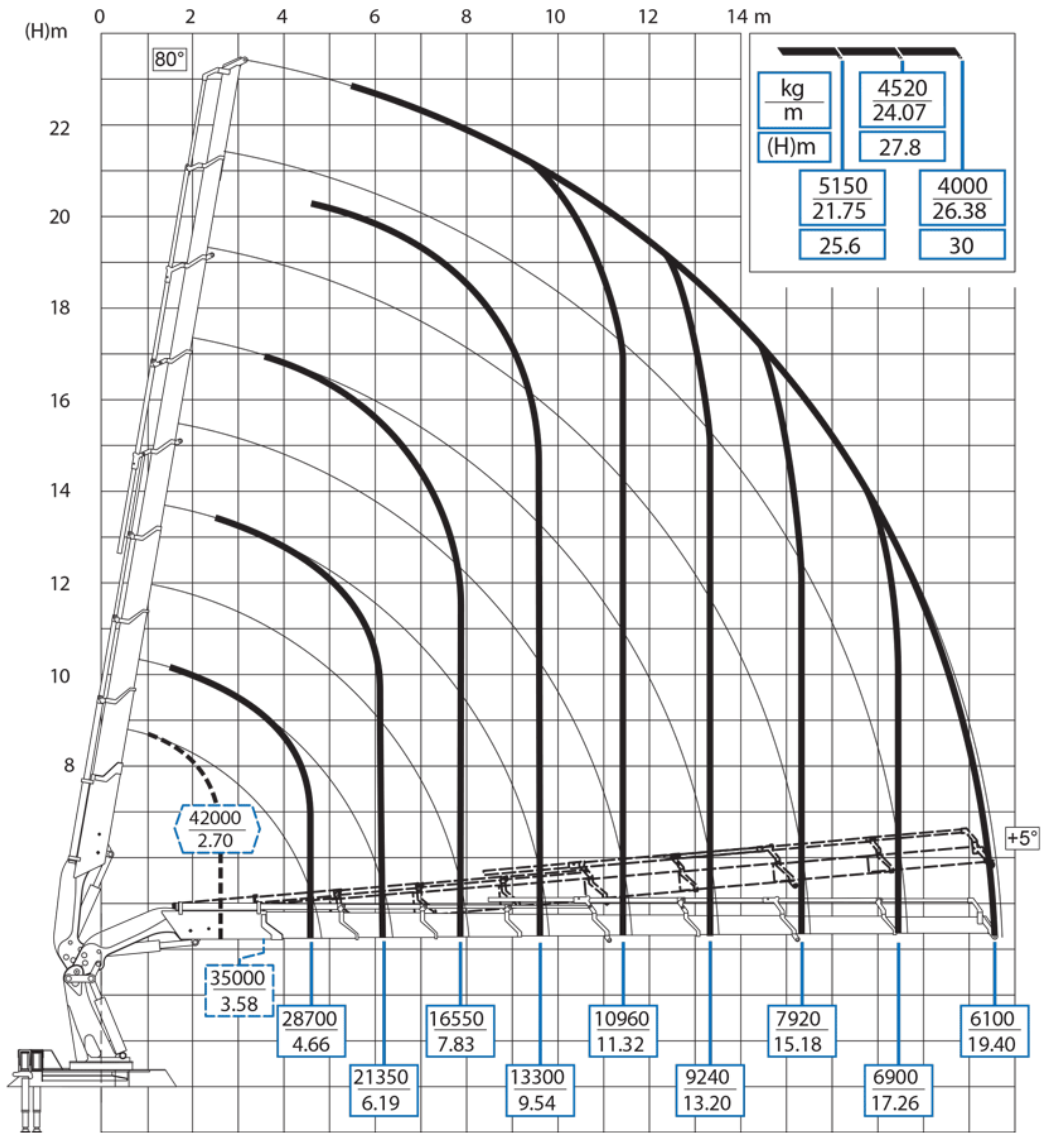
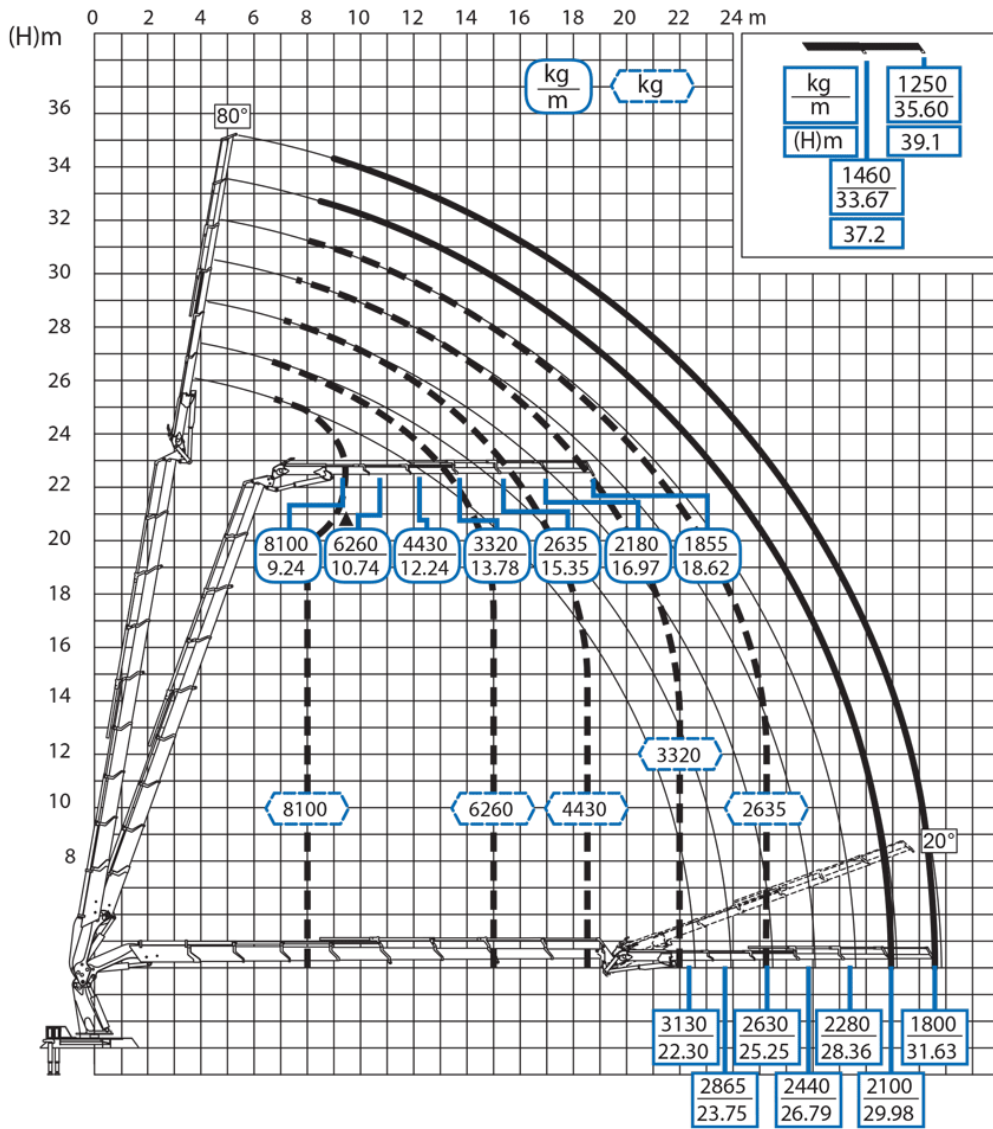
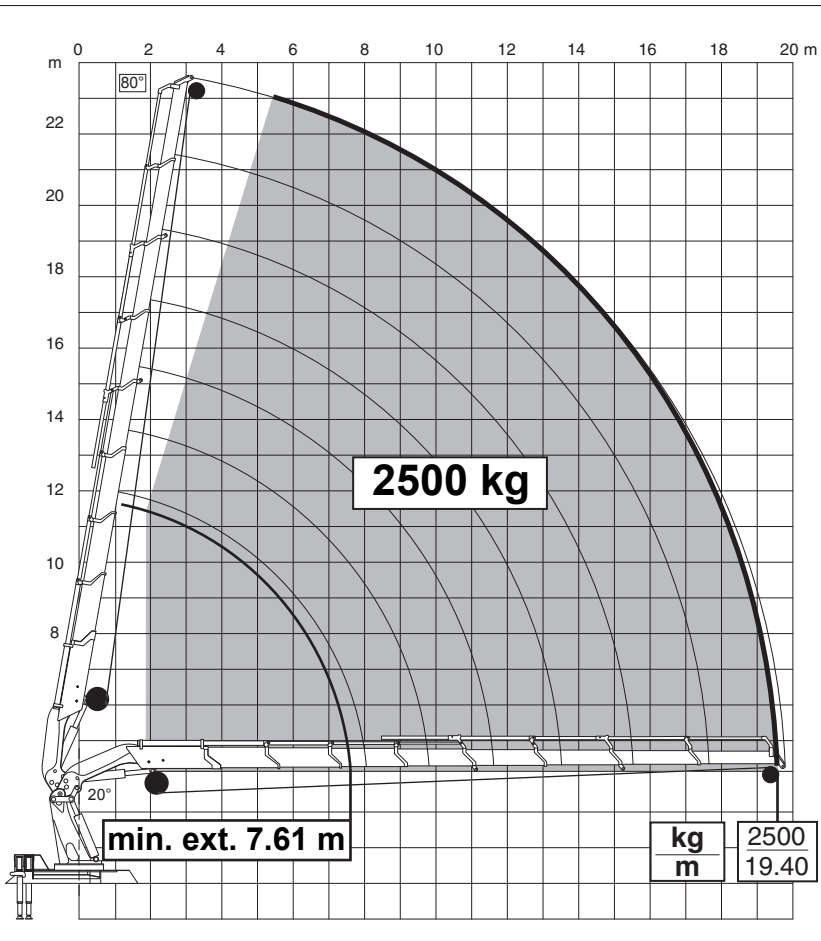


# Effer 2055 - Diagramm 8S



# Effer 2055 - Diagramm 8S JIB 6S heavy duty





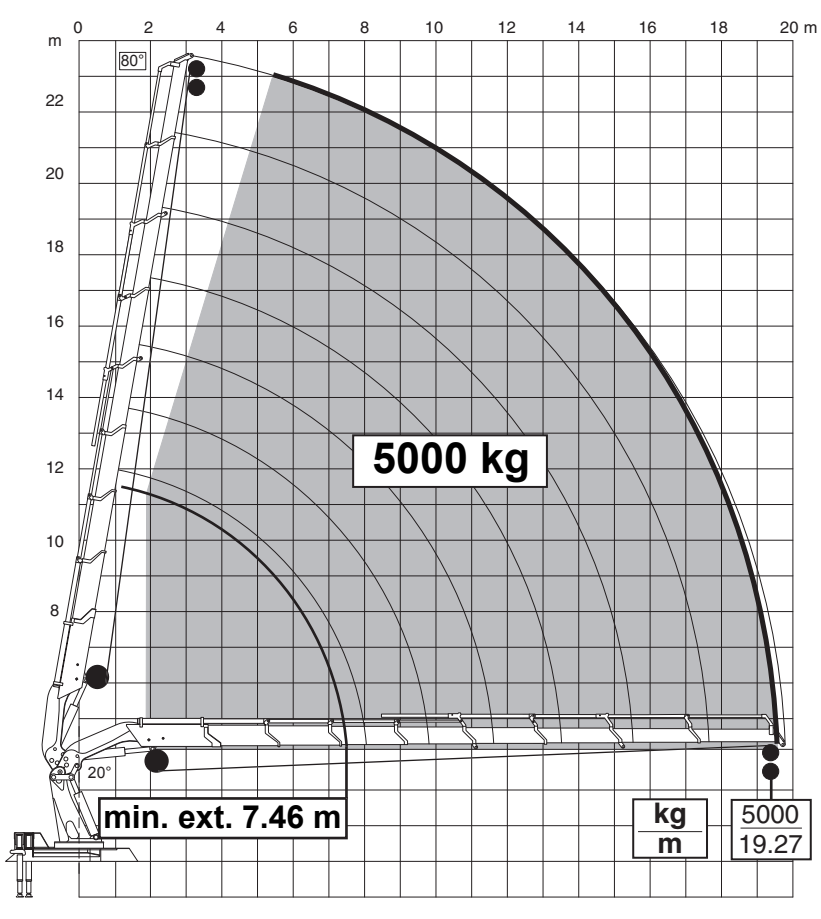
# 2055/8S

CAPACITIES WITH  
WINCH ONE PULLEY

PERFORMANCE  
100%



W2750  
cod. AD1U031\_0



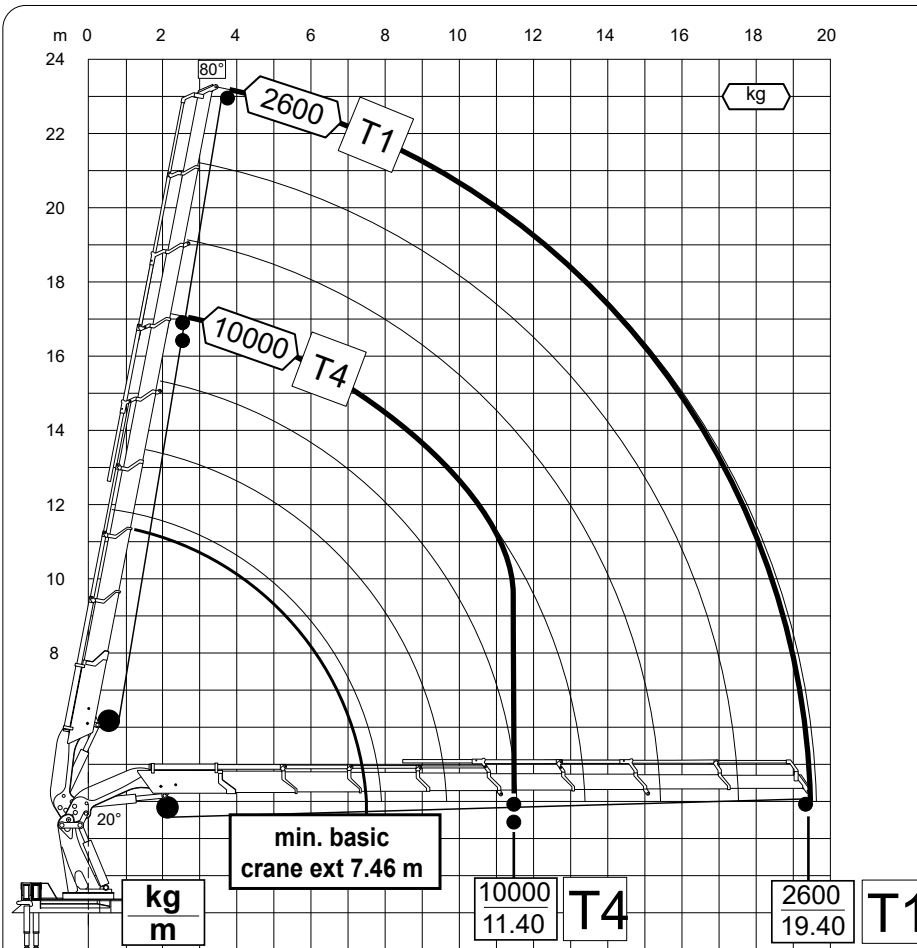
# 2055/8S

CAPACITIES WITH  
WINCH DOUBLE PULL

PERFORMANCE  
100%



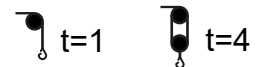
W2750  
cod. AD1U032\_0



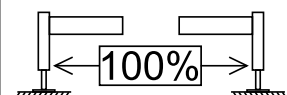
## 2055/8S

CAPACITIES  
WITH HOIST ONE  
PULL (t1) -  
FOUR PULLS (t4)

Hoist  
2750 daN (4th/RL)



Pmax  
2600 kg (t1)  
10000 kg (t4)



**PERFORMANCE**  
**100%**

### ATTENZIONE

**Condizioni operative per il lavoro in verticale:**

la massima altezza di lavoro ammessa nella configurazione a 4 tiri di ~17 m

### CAUTION

**Operating conditions for crane work in vertical position:**

The maximum work height allowed in the configuration with 4 falls of rope head pulley is ~17 m